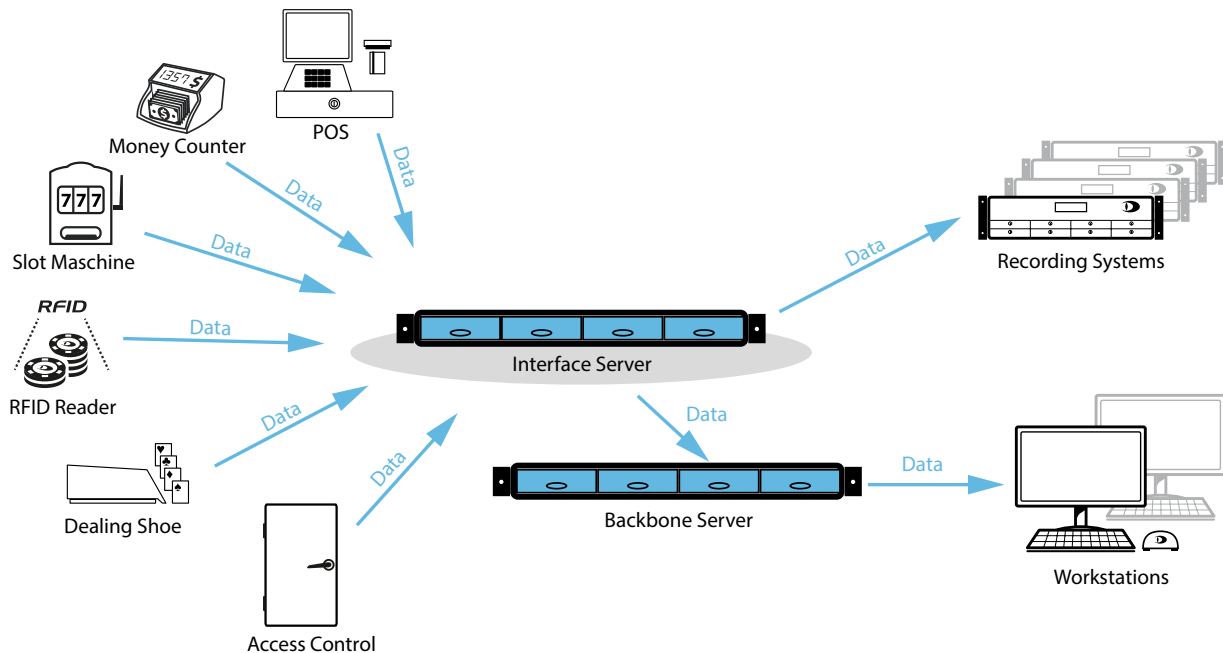


SeMSy® Interface Module

HEMISPHERE® SeMSy® Interface Module with interfaces to external systems in a HEMISPHERE® Security and Business Management System




The HEMISPHERE® SeMSy® Video Management System combines the proven concept of its predecessors with new dynamics and flexibility. The optimized license model with administration on the central HEMISPHERE® Backbone Server allows a simple, fast and secure adaptation and expansion of the entire system during operation.



The HEMISPHERE® SeMSy® Interface Module provides an interface to external devices in a SeMSy® video management system. The module receives data from external devices (e.g. POS, access control, dealing shoe) via Ethernet and stores them in the integrated database. The received data can be processed and forwarded to various systems to trigger an action.

- Database for local configuration and external data integrated
- Direct connection of up to 500 external devices via Ethernet (e.g. Baccarat)
- Indirect connection over a 3rd party server of up to 2,000 external devices via Ethernet (e.g. OnGuard)
- Processing and forwarding of messages in real-time
- Receiving of configuration data from SeMSy® Setup Server
- Optimal adaptation by licensing individual plugins
- Operating system Microsoft Windows¹⁾ 11 Pro 64 Bit
- Operating system Microsoft Windows¹⁾ Server 2012R2 64 Bit (Failover Clustering)
- Licensing of the module and the various plugins with the HEMISPHERE® Site Dongle

License	
007393	DLD - HEMISPHERE® SeMSy® Interface Module License for the use of one Interface Module for the connection of 3rd party systems on one server, without licenses for interface plugins (1x license for HEMISPHERE® Site Dongle)
Software	
008485	Windows 10 IoT Enterprise 2021 LTSC High End (non-QOS) IoT license for the operating system Microsoft Windows 10 Pro 64 Bit, required for operation in a virtual environment (VMware ESXi instance)
Server	
	009139.401 Server 4 Rack-Mount 1RU Server hardware, 1RU rack-mount, 4-core 2.8GHz CPU, 16 GB DDR4 RAM, 1x 512 GB M.2 NVMe SSD (operating system), 4x 3.5" drive bays, 2x redundant power supplies, license for Microsoft Windows 11 Pro 64-bit included

1) Microsoft and Windows are trademarks or registered trademarks of Microsoft Corporation headquartered in Redmond, Washington, USA

SeMSy® Interface Module

HEMISPHERE® SeMSy® Interface Module with interfaces to external systems
in a HEMISPHERE® Security and Business Management System



Plugin Licenses (Access Control Systems)	
007394	DLD - HEMISPHERE® SeMSy® Plugin Cardax FT (OPC Bridge, 4.01) License for the use of the interface module and the Cardax FT plugin (OPC Bridge, 4.01) on one server, database search, on-screen alarms, live camera switching, alarm to 3rd party systems (1x license for the HEMISPHERE® Site Dongle)
007395	DLD - HEMISPHERE® SeMSy® Plugin Cardax FT (Controller API, 5.20 2008) License for the use of the interface module and the Cardax FT plugin (Controller API, 5.20 2008) on one server, database search, on-screen alarms, live camera switching, alarm to 3rd party systems (1x license for the HEMISPHERE® Site Dongle)
007396	DLD - HEMISPHERE® SeMSy® Plugin CEM (AC2000 Version 6) License for the use of the interface module and the CEM plugin (AC2000 Version 6) on one server, on-screen alarms, live camera switching (1x license for the HEMISPHERE® Site Dongle)
007397	DLD - HEMISPHERE® SeMSy® Plugin CEM (AC2000 SE Version 6.5) License for the use of the interface module and the CEM plugin (AC2000 SE Version 6.5) on one server, on-screen alarms, live camera switching (1x license for the HEMISPHERE® Site Dongle)
007398	DLD - HEMISPHERE® SeMSy® Plugin DSX Eventcast (3.0.0.1) License for the use of the interface module and the DSX Eventcast plugin (3.0.0.1) on one server, on-screen alarms, live camera switching (1x license for the HEMISPHERE® Site Dongle)
007399	DLD - HEMISPHERE® SeMSy® Plugin Lenel OnGuard (7.0 / 7.6)²⁾ License for the use of the interface module and the Lenel OnGuard plugin (7.0) on one server, text on video, database search, on-screen alarms, live camera switching (1x license for the HEMISPHERE® Site Dongle)
007400	DLD - HEMISPHERE® SeMSy® Plugin Maxxess Axxess (4.4.0) License for the use of the interface module and the Maxxess Axxess plugin (4.4.0) on one server, on-screen alarms, live camera switching (1x license for the HEMISPHERE® Site Dongle)
007401	DLD - HEMISPHERE® SeMSy® Plugin Maxxess eFusion (5.4.1 / 6.1.2) License for the use of the interface module and the Maxxess eFusion plugin (5.4.1 / 6.1.2) on one server, on-screen alarms, live camera switching (1x license for the HEMISPHERE® Site Dongle)

2) Please note that versions 7.1 / 7.2 / 7.5 technically work with HEMISPHERE® SeMSy® but are not certified by Lenel and thus there is no support in case of issues.

All quotes must include this section:

"In order to use our certified interface with LenelS2 OnGuard, an annual license for the use of the API must be purchased. Please contact your LenelS2 VAR to get a quote for this annual fee (IPC-011-DALMR01) that will be included with your LenelS2 service and support agreement."

SeMSy® Interface Module

HEMISPHERE® SeMSy® Interface Module with interfaces to external systems
in a HEMISPHERE® Security and Business Management System



Plugin Licenses (Dealing Shoe Systems)	
007402	DLD - HEMISPHERE® SeMSy® Plugin AngelEye AE II (2008) License for the use of the interface module and the AngelEye AE II plugin (2008) on one server, up to 250 dealing shoes supported, text on video, database search, on-screen alarms, live camera switching (1x license for the HEMISPHERE® Site Dongle)
007403	DLD - HEMISPHERE® SeMSy® Plugin AngelEye AE III (6.00 F) License for the use of the interface module and the AngelEye AE III plugin (6.00 F) on one server, up to 250 dealing shoes supported, text on video, database search, on-screen alarms, live camera switching (1x license for the HEMISPHERE® Site Dongle)
007404	DLD - HEMISPHERE® SeMSy® Plugin AngelEye AE III Visual Mode License for the use of the interface module and the AngelEye AE III Visual Mode plugin on one server, up to 250 dealing shoes supported, text on video, database search, on-screen alarms, live camera switching (1x license for the HEMISPHERE® Site Dongle)
007405	DLD - HEMISPHERE® SeMSy® Plugin Super AngelEye License for the use of the interface module and the Super AngelEye plugin on one server, up to 250 dealing shoes supported, text on video, database search, on-screen alarms, live camera switching (1x license for the HEMISPHERE® Site Dongle)
007406	DLD - HEMISPHERE® SeMSy® Plugin AngelEye/ Huxley AE II-Ex (3.10) License for the use of the interface module and the AngelEye/Huxley AE II-Ex plugin (3.10) on one server, up to 250 dealing shoes supported, text on video, database search, on-screen alarms, live camera switching (1x license for the HEMISPHERE® Site Dongle)
007407	DLD - HEMISPHERE® SeMSy® Plugin USPC Bee Shoe License for the use of the interface module and the USPC Bee Shoe plugin on one server, up to 250 dealing shoes supported, text on video, database search, on-screen alarms, live camera switching (1x license for the HEMISPHERE® Site Dongle)
Plugin Licenses (RFID Chip Inventory Systems)	
007408	DLD - HEMISPHERE® SeMSy® Plugin GPI CIS (2.x / Magellan Technology) License for the use of the interface module and the GPI CIS plugin (2.x / Magellan Technology) on one server, text on video, database search (1x license for the HEMISPHERE® Site Dongle)
007409	DLD - HEMISPHERE® SeMSy® Plugin GPI CIS (3.x / SMART Technology) License for the use of the interface module and the GPI CIS plugin (3.x / SMART Technology) on one server, text on video, database search (1x license for the HEMISPHERE® Site Dongle)
Plugin Licenses (Slot Machine Systems)	
007410	DLD - HEMISPHERE® SeMSy® Plugin Bally ACSC (Version 11.2 EP6 and TCP/IP) License for the use of the interface module and the Bally ACSC plugin (Version 11.2 EP6 and TCP/IP) on one server, text on video, database search, on-screen alarms, live camera switching (1x license for the HEMISPHERE® Site Dongle)
007411	DLD - HEMISPHERE® SeMSy® Plugin IGT ADI (45.4.74.400) License for the use of the interface module and the IGT ADI plugin (45.4.74.400) on one server, text on video, database search, on-screen alarms, live camera switching (1x license for the HEMISPHERE® Site Dongle)
007412	DLD - HEMISPHERE® SeMSy® Plugin IGT ABS (9.1 sp 3) License for the use of the interface module and the IGT ABS plugin (9.1 sp 3) on one server, text on video, database search, on-screen alarms, live camera switching (1x license for the HEMISPHERE® Site Dongle)
007413	DLD - HEMISPHERE® SeMSy® Plugin IGT Advantage (9.2 sbX and ABS) License for the use of the interface module and the IGT Advantage plugin (9.2 sbX and ABS) on one server, text on video, database search, on-screen alarms, live camera switching (1x license for the HEMISPHERE® Site Dongle)

SeMSy® Interface Module

HEMISPHERE® SeMSy® Interface Module with interfaces to external systems
in a HEMISPHERE® Security and Business Management System



Plug in Licenses (Note Counter Systems)	
007414	DLD - HEMISPHERE® SeMSy® Plugin Glory (USF-51) License for the use of the interface module and the Glory plugin (USF-51) on one server, text on video, database search, on-screen alarms, live camera switching (1x license for the HEMISPHERE® Site Dongle)
007415	DLD - HEMISPHERE® SeMSy® Plugin Giesecke & Devrient (BPS C1, C4, M5) License for the use of the interface module and the Giesecke & Devrient plugin (BPS C1, C4, M5) on one server, text on video, database search, on-screen alarms, live camera switching (1x license for the HEMISPHERE® Site Dongle)

Plugin Licenses (Point of Sales Systems)	
007416	DLD - HEMISPHERE® SeMSy® Plugin InfoGenesis Revelation Surveillance (4.1) License for the use of the interface module and the InfoGenesis Revelation Surveillance plugin (4.1) on one server, text on video, database search (1x license for the HEMISPHERE® Site Dongle)
007417	DLD - HEMISPHERE® SeMSy® Plugin InfoGenesis Revelation Surveillance (4.2) License for the use of the interface module and the InfoGenesis Revelation Surveillance plugin (4.2) on one server, text on video, database search (1x license for the HEMISPHERE® Site Dongle)
007418	DLD - HEMISPHERE® SeMSy® Plugin InfoGenesis Revelation Surveillance (4.1.6-R2) License for the use of the interface module and the InfoGenesis Revelation Surveillance plugin (4.1.6-R2) on one server, text on video, database search (1x license for the HEMISPHERE® Site Dongle)
007419	DLD - HEMISPHERE® SeMSy® Plugin Micros 9700 (2.8 Maintenance Release 11) License for the use of the interface module and the Micros 9700 plugin (2.8 Maintenance Release 11) on one server, text on video, database search, on-screen alarms (1x license for the HEMISPHERE® Site Dongle)
007420	DLD - HEMISPHERE® SeMSy® Plugin Micros 9700 (3.2 Maintenance Release 9) License for the use of the interface module and the Micros 9700 plugin (3.2 Maintenance Release 9) on one server, text on video, database search, on-screen alarms (1x license for the HEMISPHERE® Site Dongle)
007421	DLD - HEMISPHERE® SeMSy® Plugin Micros 9700 (3.6) License for the use of the interface module and the Micros 9700 plugin (3.6) on one server, text on video, database search, on-screen alarms (1x license for the HEMISPHERE® Site Dongle)
007422	DLD - HEMISPHERE® SeMSy® Plugin Micros Symphony (2.4 / 2.6 MR1-HF2 2.610.102.206) License for the use of the interface module and the Micros Symphony plugin (2.4 / 2.6 MR1-HF2 2.610.102.206) on one server, text on video, database search, on-screen alarms (1x license for the HEMISPHERE® Site Dongle)
007423	DLD - HEMISPHERE® SeMSy® Plugin Micros Symphony (1.4 / 1.6) License for the use of the interface module and the Micros Symphony plugin (1.4 / 1.6) on one server, text on video, database search (1x license for the HEMISPHERE® Site Dongle)
008304	DLD - HEMISPHERE® SeMSy® Plugin Micros Symphony (18.2) License for the use of the interface module and the Micros Symphony plugin (18.2) on one server, text on video, database search (1x license for the HEMISPHERE® Site Dongle)
007986	DLD - HEMISPHERE® SeMSy® Plugin Common POS System License for the use of the interface module and the Common POS System plugin (for example Shiji) on one server, text on video, database search, on-screen alarms, live camera switching (1x license for the HEMISPHERE® Site Dongle)

Dallmeier electronic GmbH & Co.KG | Bahnhofstr. 16, 93047 Regensburg, Germany | +49 941 8700-0 | dallmeier.com

All trademarks identified by * are registered trademarks of Dallmeier electronic GmbH & Co.KG.

Third-party trademarks are named for information purposes only. Dallmeier electronic respects the intellectual property of third parties and always attempts to ensure the complete identification of third-party trademarks and indication of the respective holder of rights. In case that protected rights are not indicated separately, this circumstance is no reason to assume that the respective trademark is unprotected.

Specifications subject to change without notice. Errors and misprints excepted. Pictures may differ from the actual product.



© 2024 Dallmeier electronic V4.0.3 2024-04-12 4/4

MADE IN GERMANY



See more.